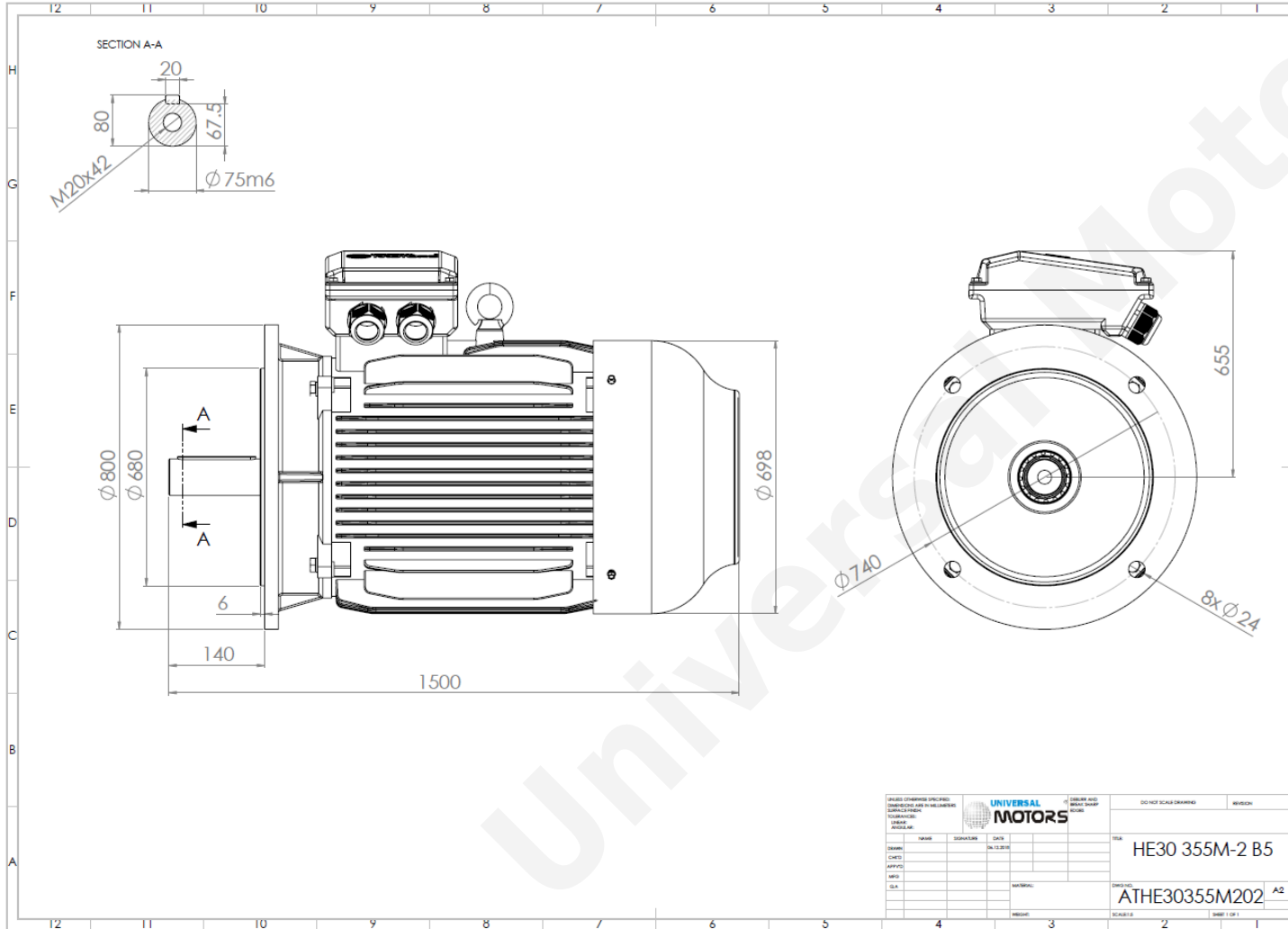




TECHNICAL DATA

Three Phase Electric Motors - Cast Iron Frame
 HE30 355M-2 IE2
 250 kW / 340 Cv
 2980 RPM



Motor type:	HE30 355M-2 IE2
Output:	250 kW / 340 Cv
Speed (min^{-1}):	2980 RPM
Frequency:	50 Hz
Voltage:	400 V
Current:	418 A
Power factor ($\text{Cos } \phi$):	0.91
Poles:	2
Insulation class:	F
Temperature rise Class:	B
Efficiency 50%:	94.2 %
Efficiency 75%:	95.4 %
Efficiency 100%:	95.0 %
Torque:	801 N.m
Tstarting/Tnominal:	2.0
Istarting/Inominal:	7.1
Tmaximum/Tnominal:	2.2
Noise:	89 Db(A)
Weight:	1500 Kg
Bearing DE:	6319 C3
Bearing NDE:	6319 C3

UNIVERSAL MOTORS		DO NOT SCALE DRAWING	REVISION
DESIGN	DATE	SCALE	SHEET
CHD	20.12.2016		1
APPROV			
MFO			
SLA			
MATERIAL		DIRTY NO.	
		ATHE30355M202	A2
WEIGHT		SCALE 1:1	SHEET 1 OF 1

Regime - S1

Altitude - 1000m

Environment Temperature - 40°C

CONTACTS:

UNIVERSAL MOTORS Tel: +351 252 299 080
 Rua de São Brás,745 Fax: +351 252 299 089
 4480-782 VILA DO CONDE Mail: geral@universalmotors.pt

* References applied only in the UK